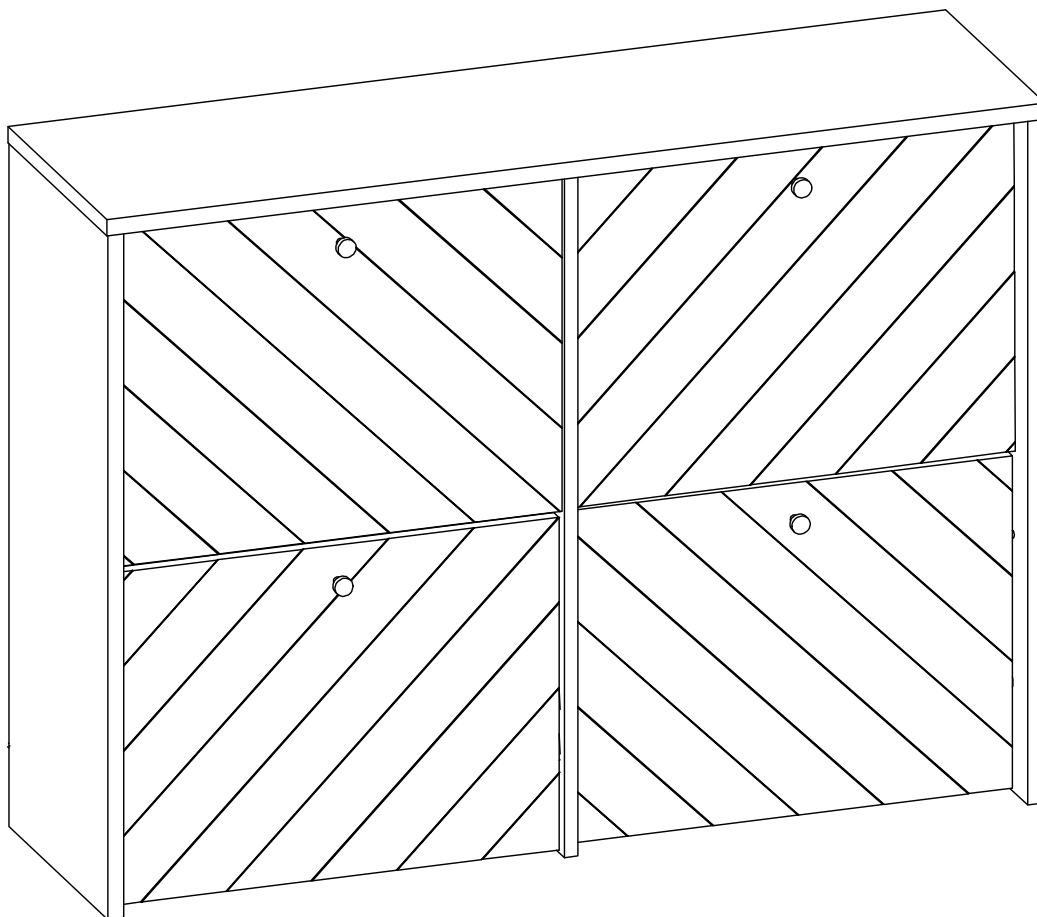


# Assembly Instruction

---

*MALY 4-Door Shoe Cabinet*

**1072071**



---

1100 x 320 x 822

---

**Ref.no /Batch code:**

**ILVA**

## Kære kunde

Tillykke med dit nye køb.  
Følg disse råd og få det bedste resultat, når du samler produktet.

- Læs vejledningen grundigt, før du går i gang
- Find hjælp, hvis I skal være to til at samle møblet
- Tjek at pakken indeholder alle dele på materialeoversigten
- Saml møblet på et blødt underlag, så du undgår ridser
- Følg vejledningen nøje
- Efterspænd møblet efter en måned
- Gem denne vejledning

### Afsæt tid

Nogle møbler kan samles på få minutter. Andre – der f.eks. består af flere dele – kan tage over en time at samle. Afsæt god tid eller gør evt. arbejdet af flere omgange.

Mangler du enkeltdele, eller har du spørgsmål til samlevejledningen. Så kontakt kundeservice på [ilva.dk](http://ilva.dk). Venligst oplys del nr. og reference nr. fra side 1.

Venlig hilsen  
ILVA

## Dear Customer

Congratulations on your new purchase.  
Follow this advice and get the best result when assembling the product.

- Read the instruction carefully before you start
- Get help, if two persons are required for assembly
- Make sure, you have all parts on the total material list
- Work on a soft, flat surface to avoid any damage to the finish
- Follow the assembly instruction
- Tighten the furniture joints after a month
- Keep the assembly instruction

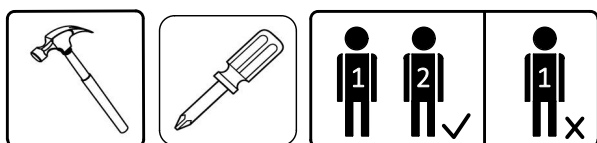
### Allocate time

Some furniture can be assembled in minutes. Others – e.g. products in several parts – can take more than an hour to finish. Make sure to allocate good time or divide up the work.

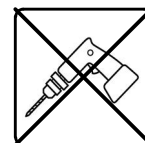
If any parts are missing or if you have questions for the assembly instruction, please contact customer support at [ilva.dk](http://ilva.dk). Please mention item no. and reference no from page 1

Best regards,  
ILVA





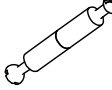

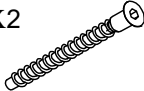

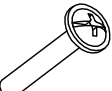




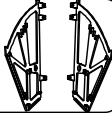


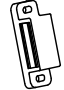

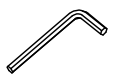


### Tools needed

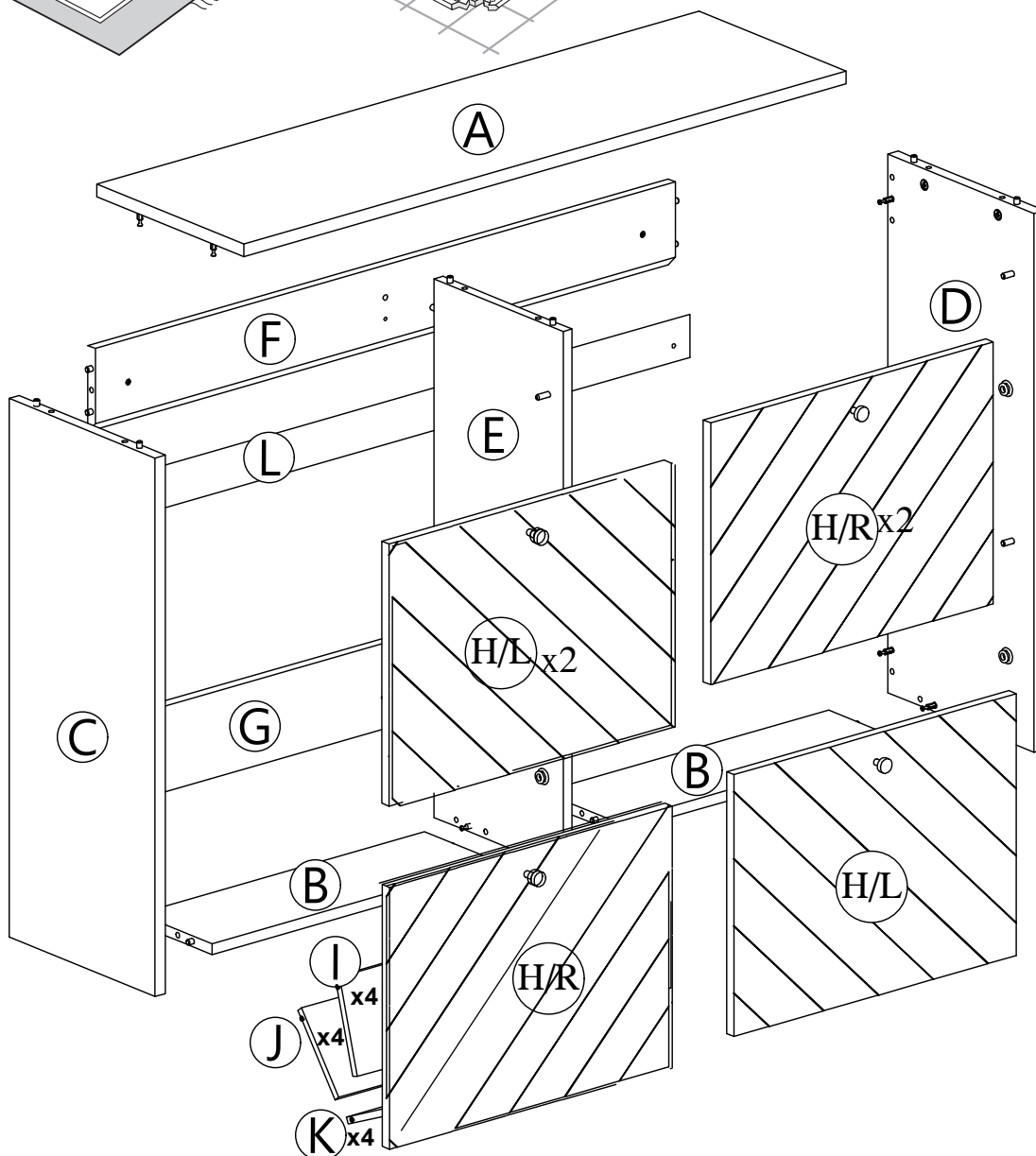
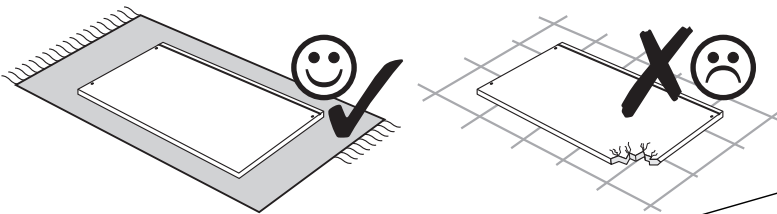


### Don't use!!!



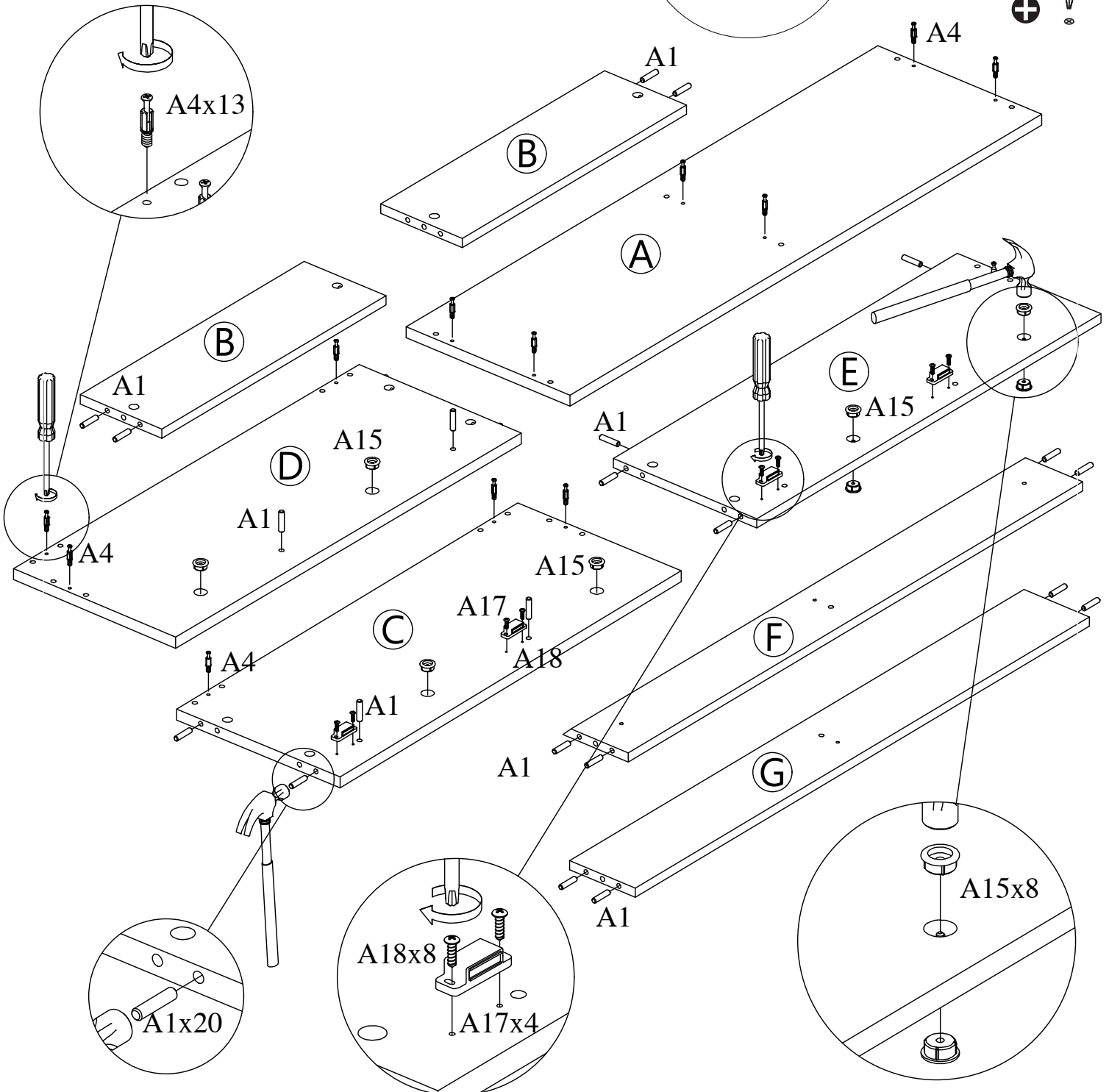
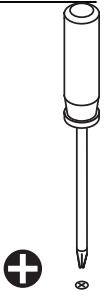
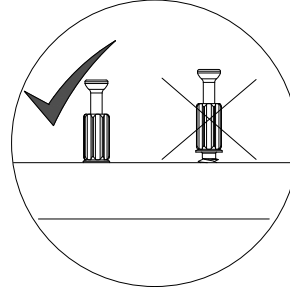
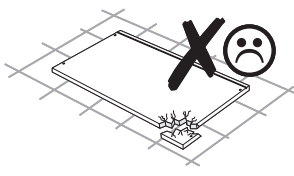
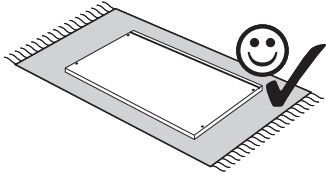
# Total material list, hardware

<b>A1</b> X24 8x35 	<b>A2</b> X2 8x60 	<b>A3</b> X14 d15x13 	<b>A4</b> X12 7x24 	<b>A5</b> X1 7x64 	<b>A6</b> X6 d18 
<b>A7</b> X2 5x50 	<b>A8</b> X4 	<b>A9</b> X4 d4x25 	<b>A10</b> X8 6.1x11.5 	<b>A11</b> X24 6.3x16 	<b>A12</b> X26 3.5x15 
<b>A13</b> X6 d17 	<b>A14</b> X4 L/R 	<b>A15</b> X8 	<b>A16</b> X8 	<b>A17</b> X4 48x19 	<b>A18</b> X16 3.5x16 
<b>A19</b> X1 3mm 	<b>A20</b> X1 4mm 	<b>A21</b> X4 			

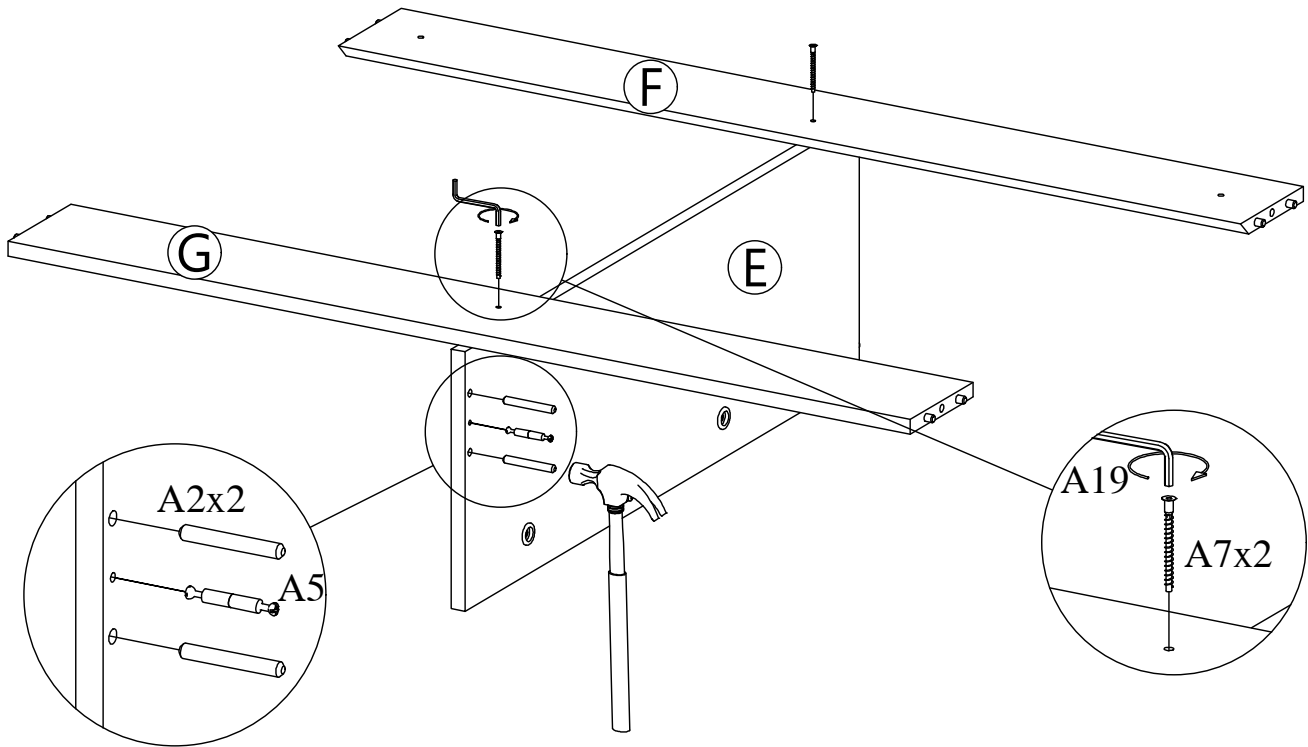
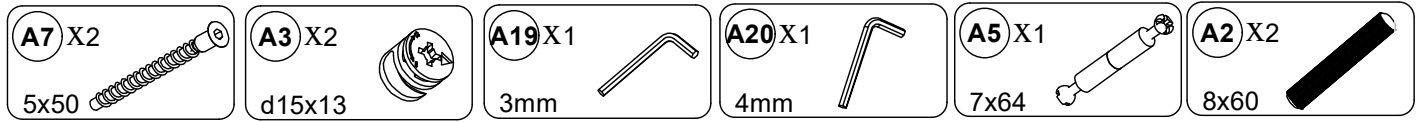


# Assembly instructions, 1

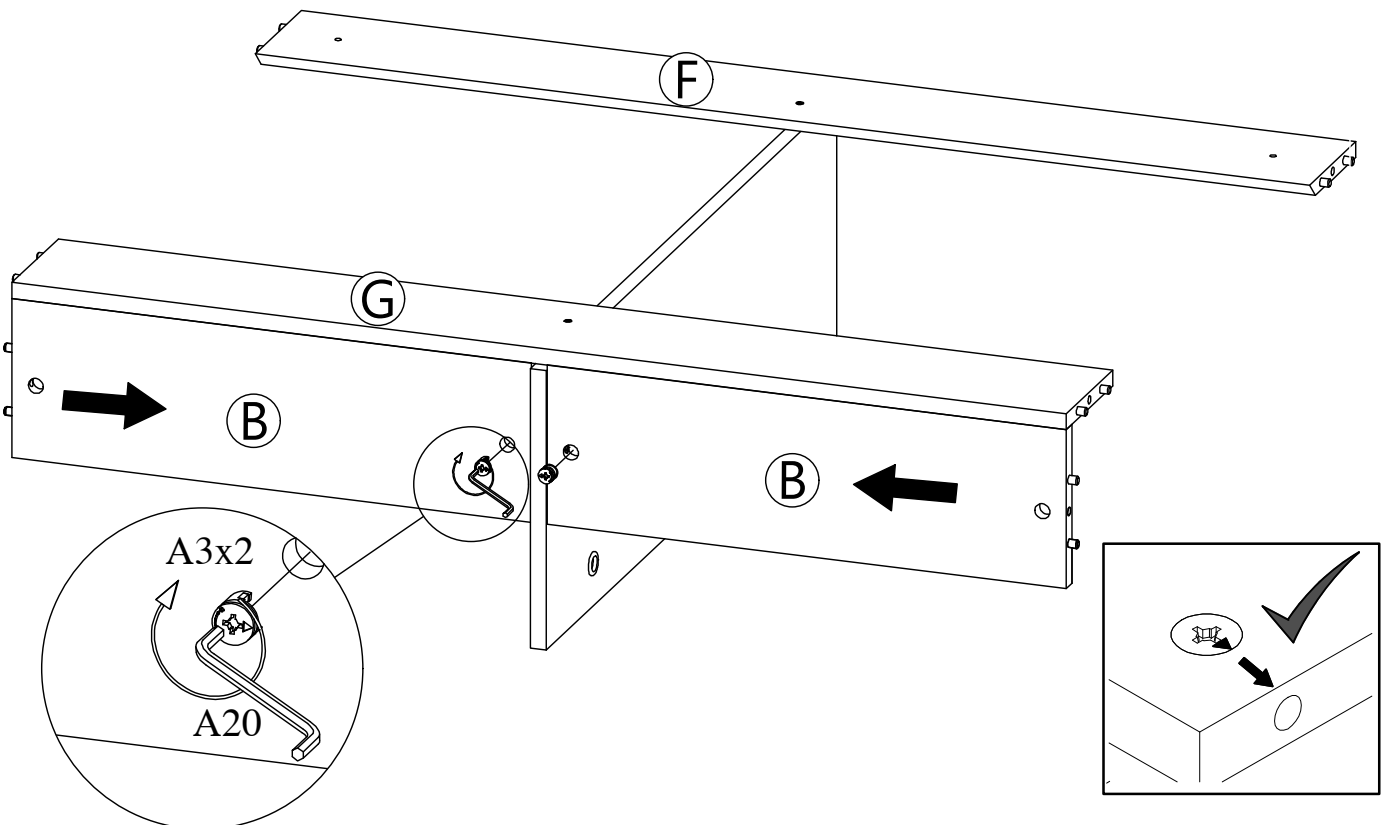
<b>A1</b> X24 8x35	<b>A4</b> X12 7x24	<b>A18</b> X16 3.5x16	<b>A15</b> X4 48x19	<b>A17</b> X8
-----------------------	-----------------------	--------------------------	------------------------	---------------



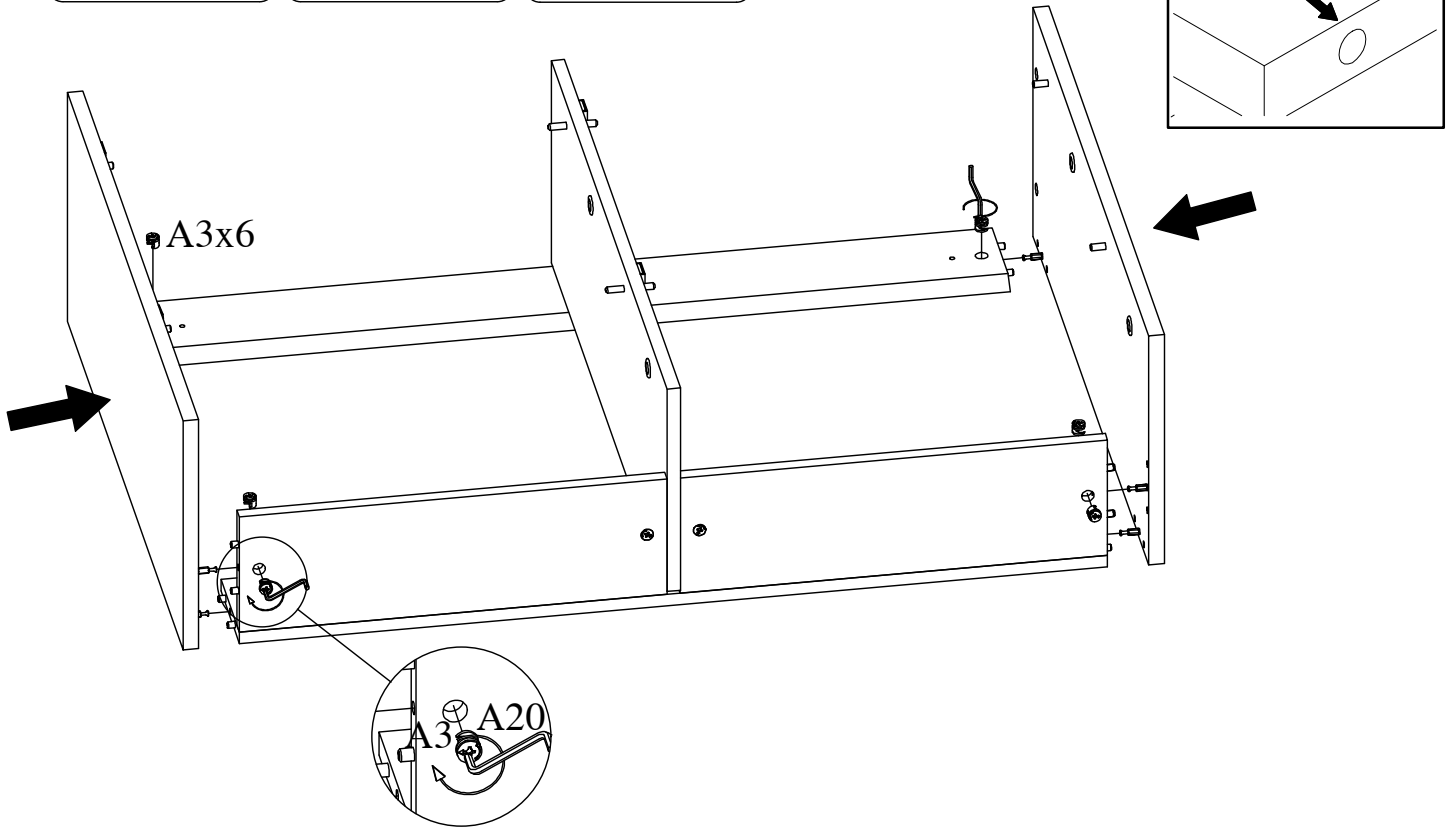
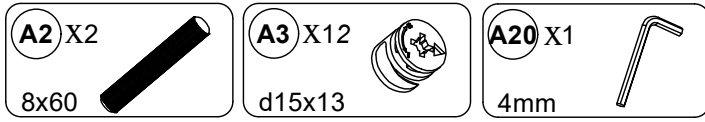
# Assembly instructions, 2



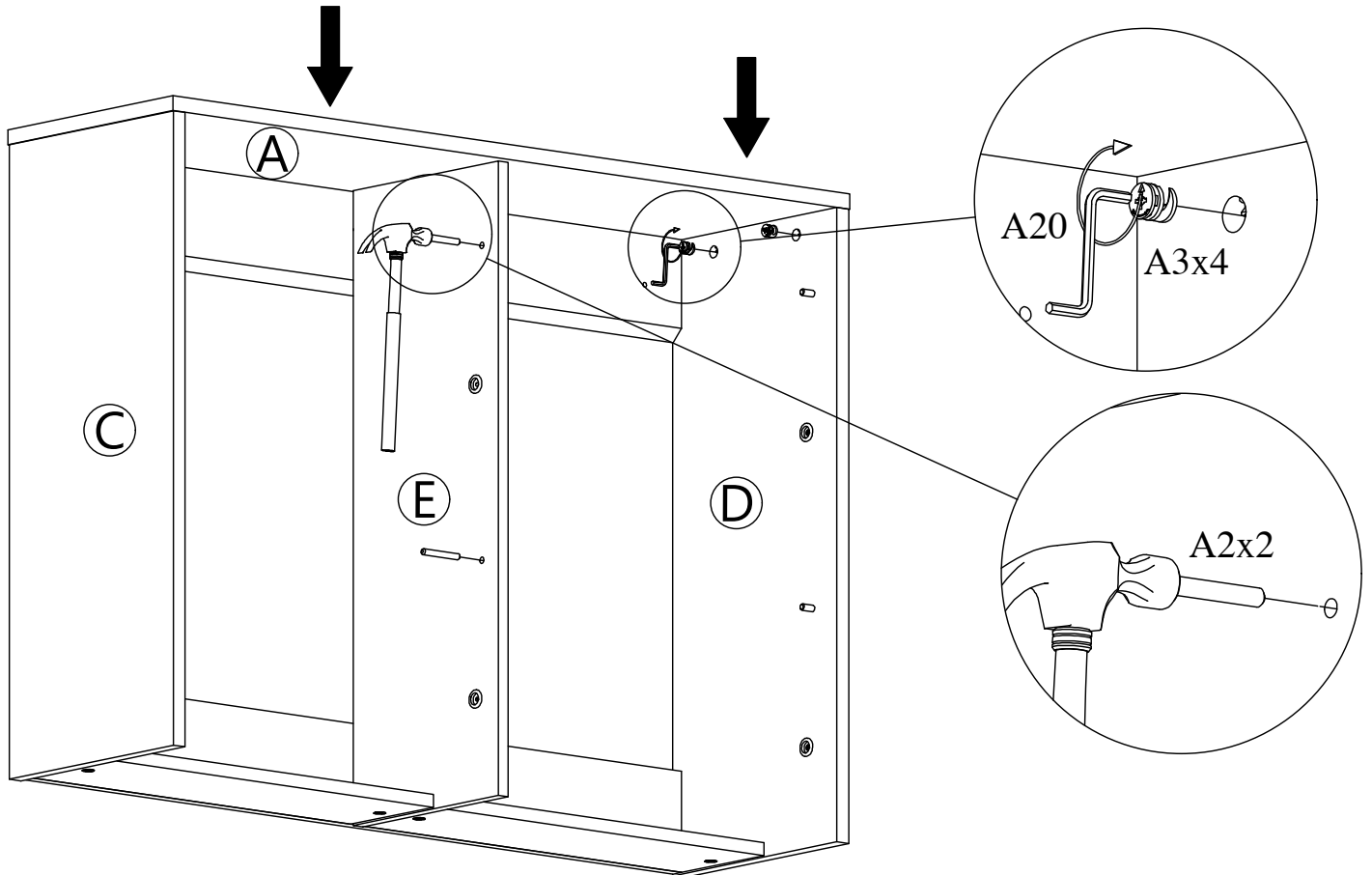
# Assembly instructions, 2



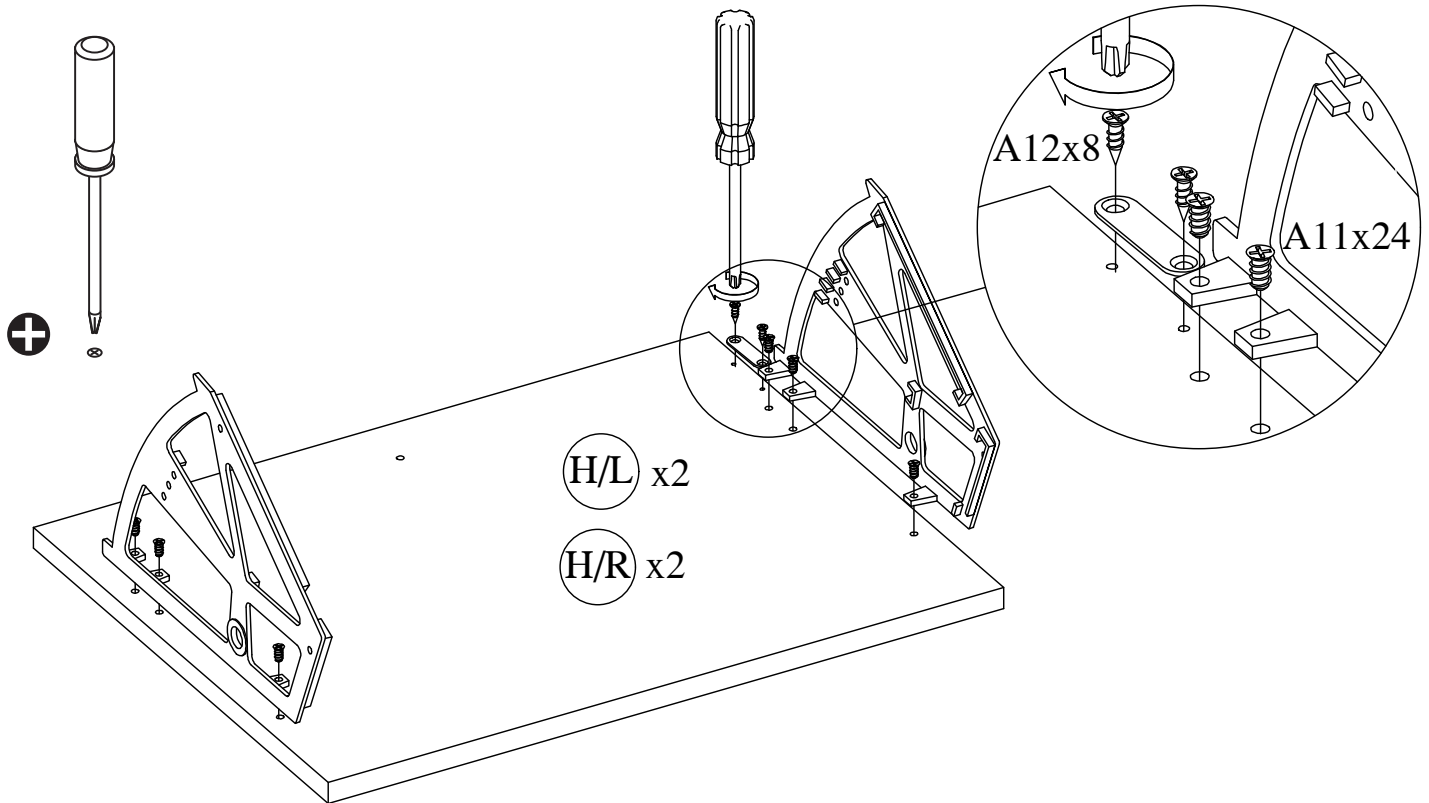
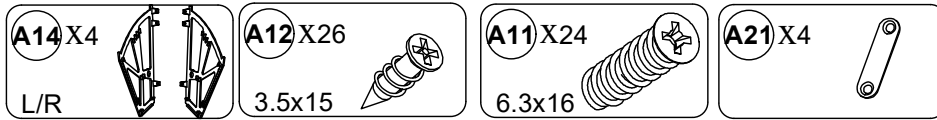
# Assembly instructions, 4



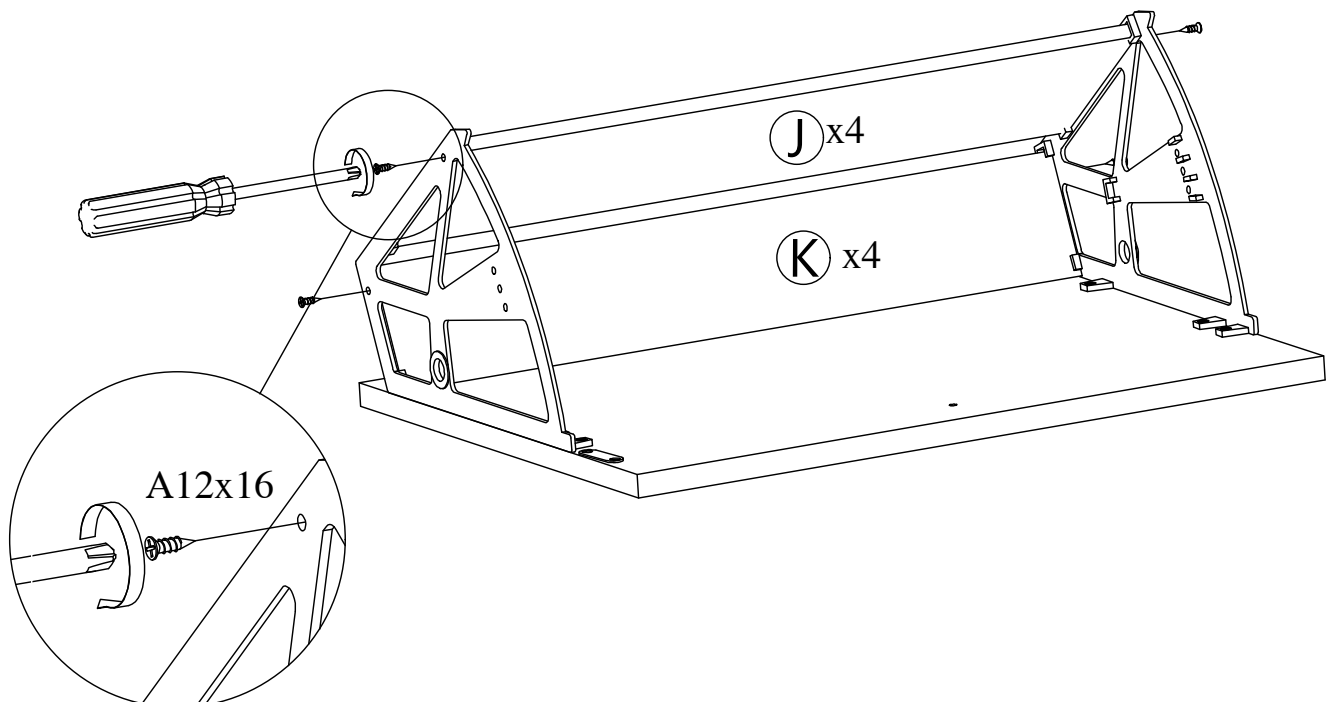
# Assembly instructions, 5



# Assembly instructions, 6



# Assembly instructions, 7



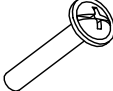
# Assembly instructions, 8

A12 X26



3.5x15

A9 X4



d4x25

A10 X8

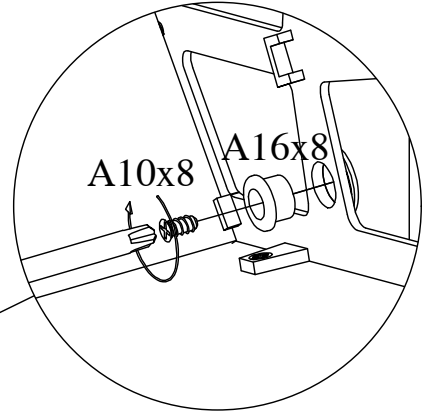
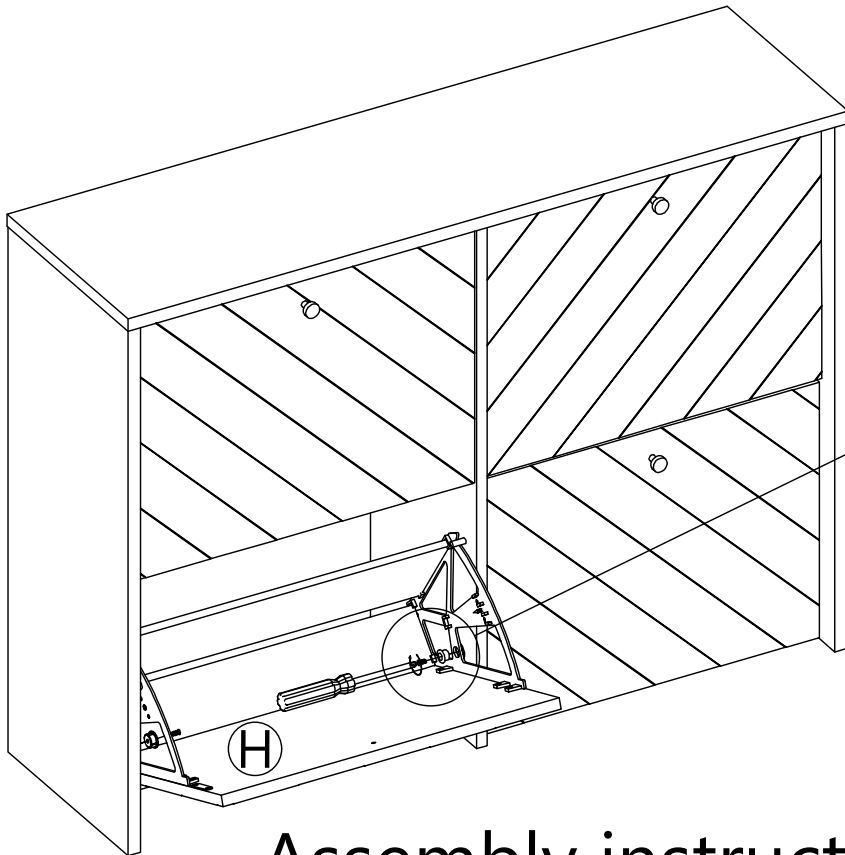


6.1x11.5

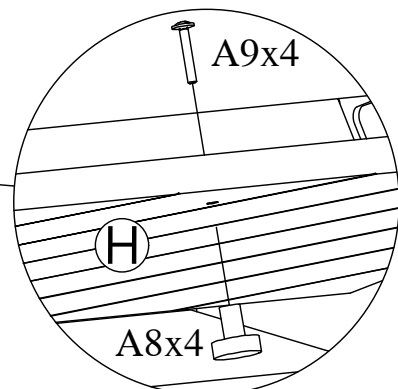
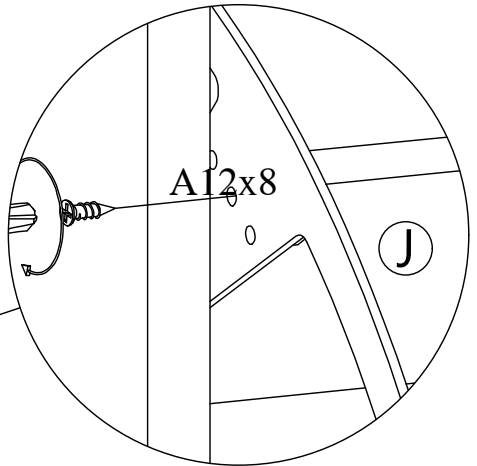
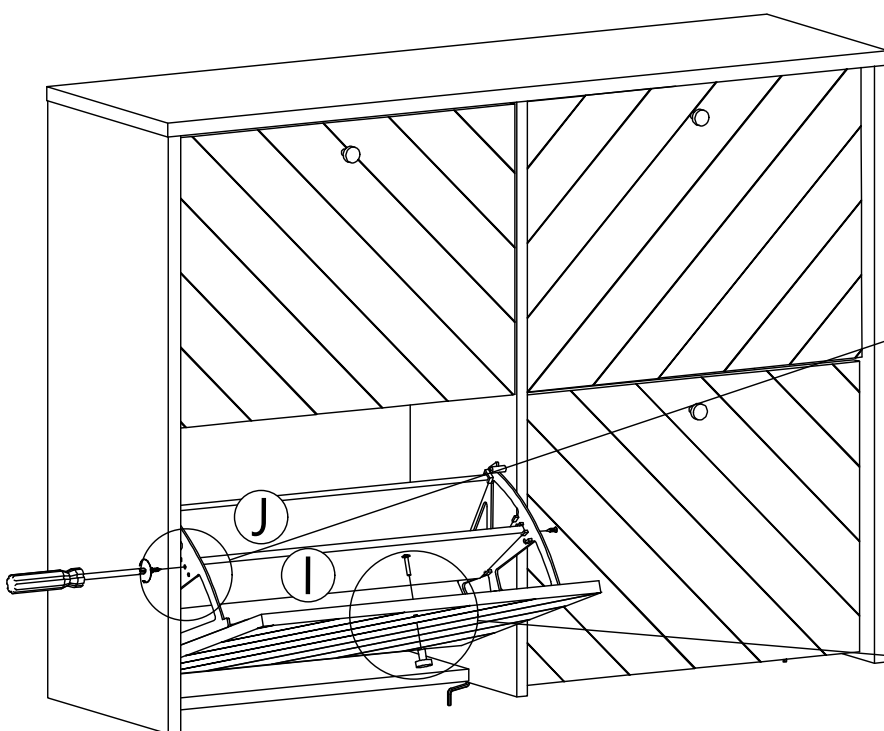
A16 X8



A8 X4



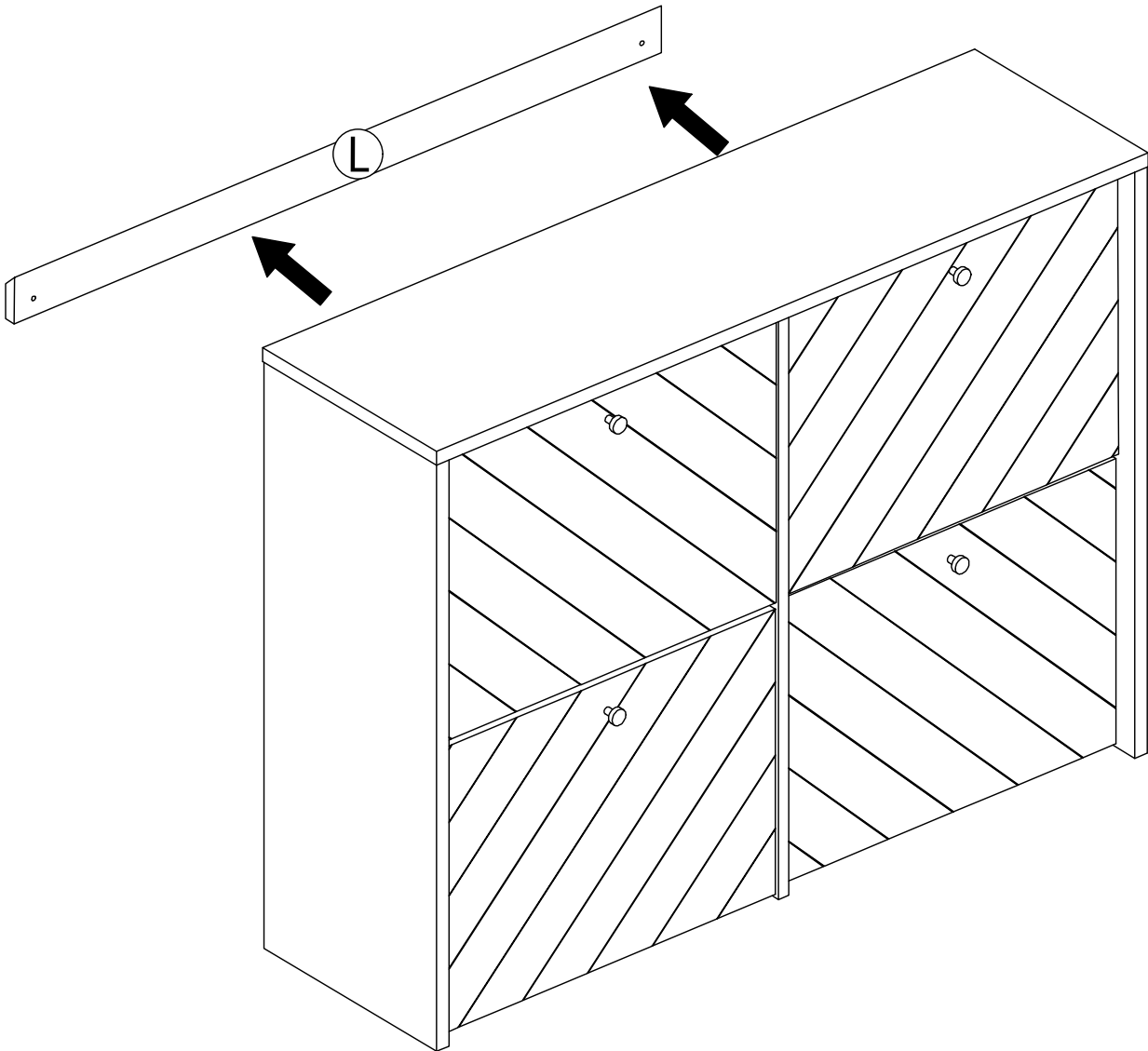
## Assembly instructions, 9





# Assembly instructions, 10

---



# A Guide to - Wall Mounting & Fixings

## Important note:

### Wall Fixings:



- because of the variety of different wall types, Habitat cannot provide you with the exact fixings you will need to fix this product to the wall.


You must first identify the type of wall you intend to fix product onto and then contact your local hardware store to get the appropriate fixings.



**Important:** When drilling into walls always check that there are no hidden wires or pipes etc.

Make sure that the screws and wall plugs being used are suitable for supporting your unit. Consult a qualified tradesperson if you are unsure.

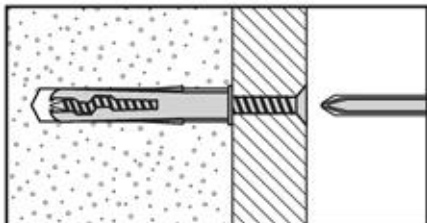
### Hints:

- 1: General rule:**  Always use a larger screw and wall plug if you are not sure.
- 2:** Ensure you use the recommended drill bit to match the wall plug and hole size.
- 3:** Ensure you drill the hole horizontally, do not force the drill or enlarge the hole.
- 4:** Take extra care when drilling high walls, ceilings and ceramic tiles. Ensure wall plugs are inserted beyond the thickness of the ceramic tiles to avoid the tiles splitting or cracking.
- 5:** Ensure wall plugs are well fitted and are a tight fit in the drilled hole.

## Types of walls

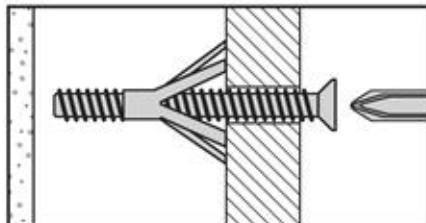
You can use one of the following types of wall plug if your walls are made of brick, breeze block, concrete, stone or wood.

### No.1 "General Purpose" wall plug



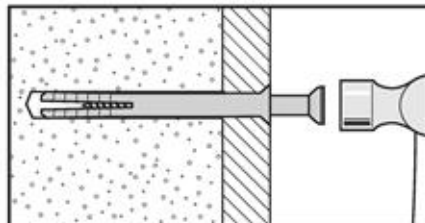
Generally aerated blocks should not be used to support heavy loads, use a specialist fitting in this case. For light loads, general purpose wall plugs can be used.

### No.3 "Cavity Fixing" wall plug



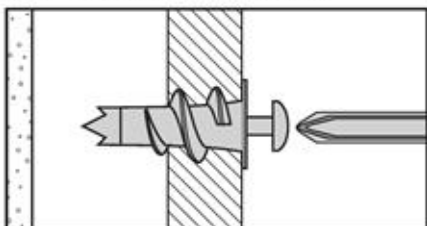
For use with plasterboard partitions or hollow wooden doors.

### No.5 "Hammer Fixing" wall plug



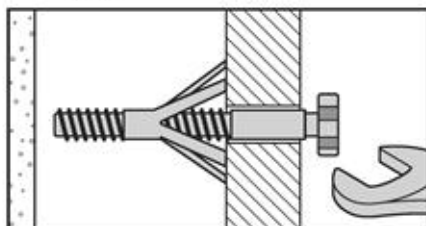
For use with walls stuck with plasterboard. The hammer fixing allows it to be fixed to the wall rather than the plasterboard. Always check the fixing is secure to the retaining wall.

### No.2 "Plasterboard" wall plug



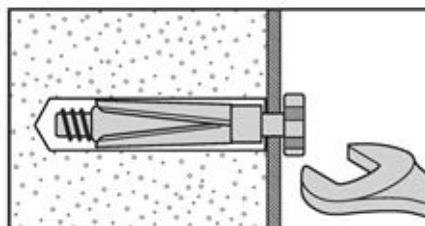
For use when attaching light loads on to plasterboard partitions.

### No.4 "Cavity Fixing-Heavy Duty" wall plug



For use when fitting or supporting heavy loads such as shelving, wall cabinets and coat racks.

### No.6 "Shield Anchor" wall plug Heavy loads



For use with heavier loads such as TV & HiFi speakers and satellite dishes etc.



## Care & Maintenance

**Safety:** Always check the fitting and location to ensure your safety in and around the home.

**Fitting:** From time to time check the fitting to ensure the wall plugs or screws do not become loose.

# Safety and Care Advice

---

## General care and maintenance

---

Only clean using a damp cloth and mild detergent, do not use bleach or abrasive cleaners.

From time to time check that there are no loose screws on this unit.

This product should not be discarded with household waste. Take to your local authority waste disposal centre.

## Cleaning and care of lacquered surfaces

---

Regular dusting with a dry cloth will keep your units clean.

Clean marks with a damp cloth.

Do not use abrasive cleaners.

Do not clean with products containing following:

Acetone (e.g. nail varnish remover). Ammonia (e.g. bleach) or Sodium hydroxid (e.g. Caustic soda, drain and oven cleaners) .

To remove stubborn stain, wipe over with damp cloth and washing up liquid.

In the event of accidental contact with aggressive cleaners, rinse thoroughly with water. Use place mats to protect the surface from moisture and heat.

## Maximum weight limit

---

**Important:** Recommended maximum load for each shelf is shown below.